



M600U SCOUT LIGHT®

ULTRA-HIGH-OUTPUT LED WEAPONLIGHT w/ THUMBSCREW MOUNT



.....

Model Number: M600U-A-BK
M600U-A-TN

UPC Number: 084871321105 (BK)
084871321112 (TN)

MSRP: \$429.00

.....

The M600U Scout Light is a lightweight, compact WeaponLight featuring an ultra-high-output LED that delivers 500 lumens of blinding white light. A proprietary TIR lens shapes the recoil-proof LED's light into a beam with plenty of reach but enough surround light to accommodate peripheral vision, making the M600U ideal for longer- and closer-range applications. The ergonomic M600U attaches quickly and securely to any MIL-STD-1913 rail via its integral thumbscrew clamp. The light is activated by either clicking its pushbutton tailcap switch or, for fingertip control without altering your grip on the weapon, by pressing the pressure-activated tape switch (both included). Constructed of lightweight aerospace aluminum, hard anodized with a Mil-Spec finish, and O-ring sealed to keep out the elements, the tough M600U thrives in combat-like conditions and provides a tactical advantage in low-light situations—without any sacrifice in weapon maneuverability.

FEATURES & BENEFITS

- Virtually indestructible ultra-high-output LED generates 500 lumens of blinding light; produces tactical-level light for 1.5 hours on a set of batteries
- TIR lens shapes versatile beam with enough reach and surround light for longer- and closer-range tasks
- Hard-anodized aluminum body, tempered window & O-ring seals make light rugged and durable
- Ergonomic tailcap and pressure-pad tape switching included
- Thumbscrew mount attaches quickly & securely to in-spec MIL-STD-1913 rails
- Powered by two 123A lithium batteries with 10-year shelf life
- Backed by SureFire's No-Hassle Promise

SPECIFICATIONS



LED Color



Body Color



WHITE-LIGHT MAX OUTPUT:

500 lumens

WHITE-LIGHT TACTICAL RUNTIME*:

1.5 hours

BEZEL DIAMETER:

1.125 inches (2.9 cm)

LENGTH:

5.4 inches (13.7 cm)

WEIGHT:

4.8 oz (136 g) with tailcap click switch
5.6 oz (159 g) with pressure-pad tape switch

SWITCHING:

Tailcap click switch, pressure-pad tape switch

MATERIAL:

Aerospace aluminum, tempered window

FINISH:

Mil-Spec Type III anodizing

COLOR:

Black, Tan

BATTERY:

Two lithium 123A (included)

*Runtime until output drops below 50 lumens

Prices and specifications subject to change without notice.
Exempt from US Export Controls

THE WORLD'S FINEST ILLUMINATION TOOLS, SUPPRESSORS, AND TACTICAL PRODUCTS™

18300 Mt. Baldy Circle, Fountain Valley, CA 92708 • 14-545-9444 • 00-828-8809 • ax: 714-545-9537. www.surefire.com

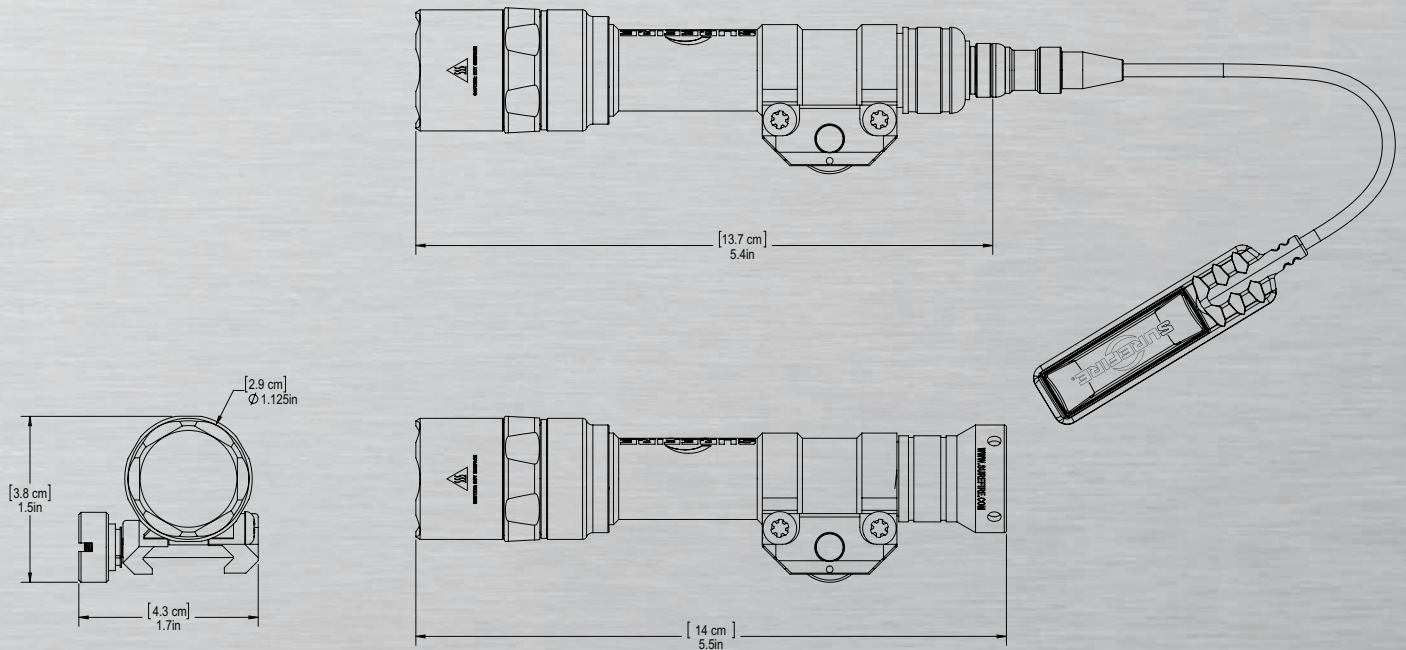
©2013 SureFire, LLC
Rev 5.6.13



M600U SCOUT LIGHT®

ULTRA-HIGH-OUTPUT LED WEAPONLIGHT w/ THUMBSCREW MOUNT

SPECIFICATIONS: LINE DRAWINGS



Prices and specifications subject to change without notice.
Exempt from US Export Controls

THE WORLD'S FINEST ILLUMINATION TOOLS, SUPPRESSORS, AND TACTICAL PRODUCTS™

18300 Mt. Baldy Circle, Fountain Valley, CA 92708 • 14-545-9444 ☎ 00-828-8809 ✉ ax: 714-545-9537. www.surefire.com

©2013 SureFire, LLC
Rev 5.6.13